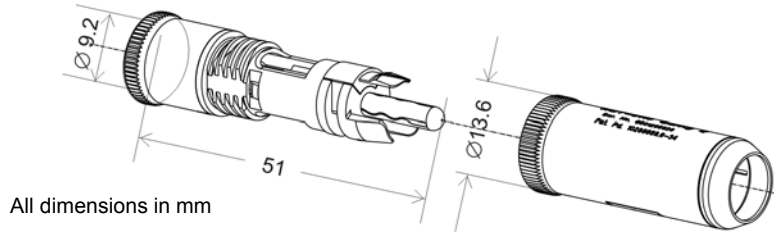
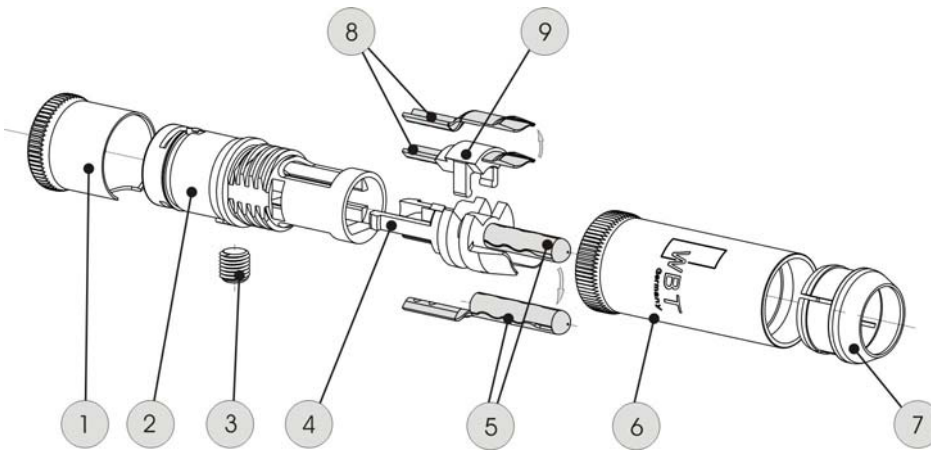


WBT-0114 Cu

E

All dimensions in mm



Component list

1	cap brass	1
2	Holding unit PA	1
3	Torx ³⁾ screw M4x4 brass	1
4	dielectric – plus contact PA	1
5	plus contact pure copper	1
6	shaft of clamping barrel brass	1
7	head of clamping barrel brass	1
8	minus contact pure copper	1
9	dielectric – minus contact LPC	1

Extent of delivery 1 – 9 assembled

Revision date 2.5.2012

¹⁾ Torx is a registered trademark of Camcar Textron • WBT and nextgen are registered trademarks of WBT GmbH

WBT - 0114 RCA Cinch Plug nextgen™

(Internat. Pat. EP 0 460 145 B1)

RCA / Cinch wideband plug for digital and analogue connections

1. Mechanics

- Single-element low-tolerance contact elements (Tol. $< \pm 0,02$ mm)
- Central Contact Unit consisting of two moulded contact holders, (4)+(5) and (8)+(9)
- The holding unit (2) grips the central contact unit and also provides the cable strain relief thanks to the grub screw (Torx¹⁾ T.6).
- The brass clamping barrel (6) and (7) is axially screwed over the thread of the holder and provides a permanent tight contact pressure. This way the plug can be adopted perfectly by every type of RCA / Cinch socket.
- EMC shielding is effectively achieved by the by the clamping barrel (6) and (7) and the cap made of brass (1).

2. Materials

- Signal conductors (8) and (6) Pure copper
- Dielectric plus contact (4) PA
- Dielectric minus contact (9) LPC
- Cap (1) and grub screw (3) brass
- Holding unit (2) PA
- Clamping barrel (6) and (7) brass

3. Surfaces

- Signal conductor (5) and (8) pure fine gold 0,5 μ m
- Clamping barrel, (6), (7) laser engraved, black galvanic
- Cap (1) black galvanic
- Holding unit (2) coloured versions available according to the EIA/CEA standard for multi channel systems

4. Operating Characteristics (reliable observed after more than 10⁵ connections/disconnections)

- Permanent current $I_D > 10$ A
- Transition resistance $R_D < 0,1$ mOhm (loop measured with WBT -0110)
- Contact resistance $R_{Bi}, R_{Ba} < 0,1$ mOhm (patch resistance, inner / outer)
- Self capacitance $C \approx 2,5$ pF
- Insulation resistance $R_{ia}, R_{ac} > 10^{10}$ Ohm (conductor/ conductor, conductor/chassis)
- Characteristic impedance $Z = 75$ Ohm up to 400 MHz

5 Dimensions

- Outer / inner diameter 13,6 / 9mm
- Total length 51 mm

6. Mounting

- Connection soldering
- Cables for cables up to 9 mm dia



WBT-0114 Cu

Characteristic Impedance 75 Ω > 400 MHz

RoHS compliant